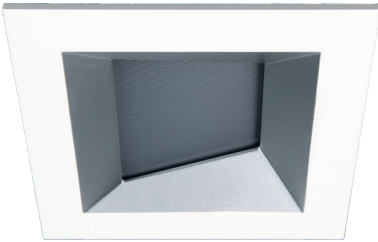


ASTRO 3.5 Dim-To-Warm Wall Wash A1RE-W56-DW, A1RE-W57-DW



Fixture Type: _____

Catalog Number: _____

Project: _____

Location: _____

FINISHES



Model	Power	Beam	Color Temp	Max Lumens	Max CBCP	Finish
A1RE-W56-DW (Square Trim Wall Wash Downlight)	13W	Asym	3000K-1800K	610	N/A	WT White HZWT Haze White
A1RE-W57-DW (Square Trimless Wall Wash Downlight)	16W	Asym	3000K-1800K	720	N/A	WT White HZ Haze

Example: **A1RE-W57-DW-WT**

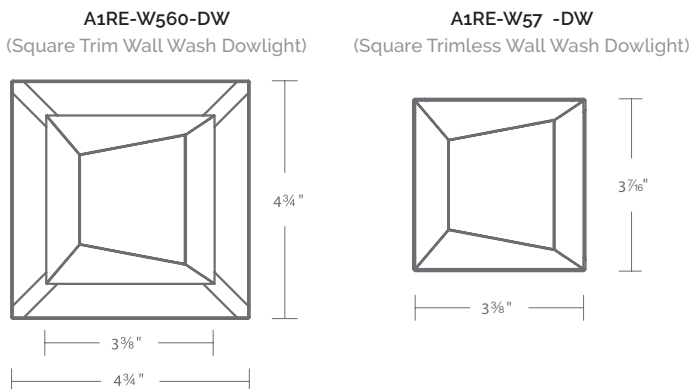
DESCRIPTION

The brilliant LED recessed downlight that gradually changes to a warmer color temperature as you dim. Great for new construction projects or remodels.

FEATURES

- 2 beam angle options included - Narrow flood beam pre-installed, interchangeable flood beam film supplied
- Non IC and IC-Rated, Airtight, New Construction, Remodel
- Adjustable LED light engine included with housing: Wall Wash Vertical Adjustment to 15°
- Shallow housing under 4" depth
- 5 year warranty

LINE DRAWING



SPECIFICATIONS

Construction:	Die-cast aluminum trim and heat sink
Power:	13W/16W
Input:	120V-277V 50/60Hz
Dimming:	100% - 1% TRIAC, ELV 100% - 5%, 0-10V
Light Source:	CRI 95 high output COB LED rated life of 50,000 hours
Mounting:	Retention clips firmly hold trim to housing. Cutout: 4 1/4" x 4 1/4" New Construction Housing 3 7/8" x 3 7/8" Remodel Housing
Finish:	Powder coated white, haze.
Ceiling Thickness:	1/2" - 1"
Operating Temp:	-4°F to 104°F (-20°C to 40°C)
Standards:	UL, cUL, Wet Location Listed, Title 24 JA8-2019 Compliant, IC, Airtight

aispire.com
Phone (800) 526.2588
Fax (800) 526.2585

Headquarters/Eastern Distribution Center
44 Harbor Park Drive
Port Washington, NY 11050

Central Distribution Center
1600 Distribution Ct
Lithia Springs, GA 30122

Western Distribution Center
1750 Archibald Avenue
Ontario, CA 91760

ASTRO 3.5 Dim-To-Warm Wall Wash
A1RE-W56-DW, A1RE-W57-DW



Model	Model	Power		Color Temp
	<p>A1RE-258M IC-Rated Airtight</p> <p>A1RE-158M Non IC- Rated Airtight</p>	<p>13W</p> <p>16W</p>		DW 3000K-1800K
	<p>A1RE-356M Non IC- Rated Airtight</p>	16W		DW 3000K-1800K
	<p>A1RE-357M Non IC- Rated Airtight</p>	16W		DW 3000K-1800K

Example: **A1RE-356M-DW**



FEATURES

- Dim to warm technology
- Line voltage direct to the housing with "Intuitive style" dimming that replicates halogen and incandescent warmth
- High lumen density for directional lighting
- Compatible with most single channel drivers and dimmer switches
- Up to 97CRI (typical) at 3000K dimming down to 1800K for residential and hospitality lighting
- Consistent white light <3 SDCM

APPLICATIONS

- Hospitality, hotel, and restaurant lighting
- Bedrooms, bathrooms, theaters, great rooms, and lower levels
- Retail shop lighting
- Public, commercial buildings

CCT CHANGE DIMMING CURVE

