

STEP LIGHTS RPS Trimless

A2W22



Fixture Type: _____

Catalog Number: _____

Project: _____

Location: _____

FINISHES

WT



Model	Forward Voltage	Max Drive Current	Max # of Fixture	Beam	Color Temp	Lumen	Finish
A2W22 (Square Trimless)	6V	300mA	7 per Channel	82	27 2700K 30 3000K	58	WT White

Example: A2W22-30WT

*AISPIRE RPS Required, Sold Separately

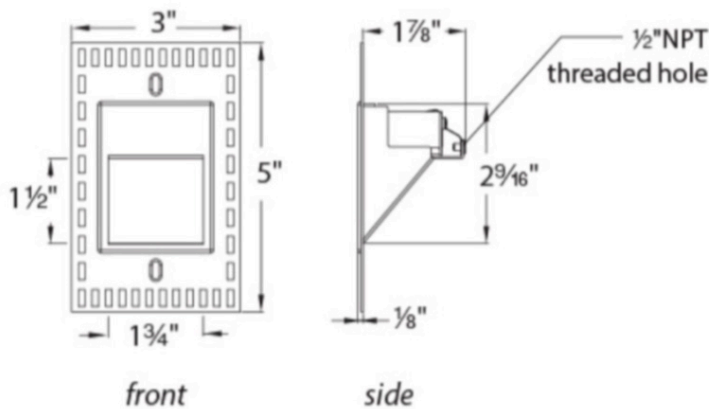
DESCRIPTION

With a sleek profile and no visible hardware, Step and Wall Lights are designed to seamlessly blend into any architecture. These luminaires offer enhanced energy-efficient functionality and optimized light output to adequately illuminate stairs, walls and walkways with little or no glare.

FEATURES

- Can be painted to match the color of the surface
- Low profile, flush to wall aesthetics with no visible hardware
- Balanced lighting, free of shadows with minimum glare
- 5 year warranty

LINE DRAWING



SPECIFICATIONS

- Construction:** Die-cast aluminum or 316 marine grade cast stainless steel
- Power:** Direct wiring, no remote driver needed. Input voltage: Class 2 Low Voltage, DC power
- Dimming:** Refer to RPS specifications for protocol and compatibility
- CRI:** 90
- Mounting:** Fits into 2" x 4" J-Box with minimum inside dimensions of 3"L x 2"W x 2"H. Includes bracket for J-Box mount.
- Standards:** IP66, UL & cUL Listed for wet locations, Title 24 JA8-2019 Compliant.
- Operating Temp:** -4°F to 104°F (-20°C to 40°C)

Model: WL-LED100

Step and Wall Light



* See RPS spec sheet for wiring diagram

INPUT

Voltage Range:	120VAC
Frequency Range:	50/60Hz
Power Factor:	0.99 @100VAC
THD:	<15% @full load
Current:	0.9A @100VAC
Standby Power Consumption:	<0.5w

OUTPUT

LED Channels:	APD20-BK: 4 Channels APD40-BK: 8 Channels
Selectable Current:	250mA, 300mA, 350mA, 400mA, 450mA, 500mA, 600mA, 700mA, 800mA, 900mA, 1A, 1.1A, 1.2A, 1.3A, 1.4A, 1.5A
DC Voltage Range:	6-48VDC
Current Tolerance:	± 3%
Rated Power:	72W per channel 75W max (per 2-channel output)

Model	# of channels	Finish
A2D20 2 x 75W Class 2 output DMX LED power unit	4	BK Black
A2D40 4 x 75W Class 2 output DMX LED power unit	8	

Example: **A2D20-BK**

FINISHES



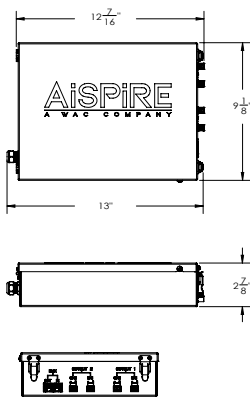
Black

FEATURES

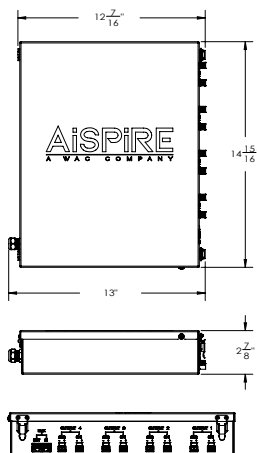
- 75W Max. Output Power (Per DMX Power Unit)
- 250mA-1500mA output current selection
- Class 2 power supply
- Built-in DMX512 interface
- IP20 rating
- UL Damp location listed

LINE DRAWING

A2D20 - 4 Channel



A2D40 - 8 Channel



CONTROL

Control Protocol:	DMX 512-A, DMX 512
Diming Range:	0%-100%
Control Input:	DMX RJ45
Dimming Curve:	Linear/Logarithm (Selectable)

PROTECTION

Short Circuit, Voltage, Over Temp: Recovers automatically after fault condition is removed

ENVIRONMENT

Ambient Operating Temp: -4°F - 113°C (-20°F - 45°C)

SAFETY & EMC

- Safety Standard: UL 2018, Damp Location
- EMC Emission: FCC Part 15 Class B
- Surge Immunity: Line-Line 1 kV